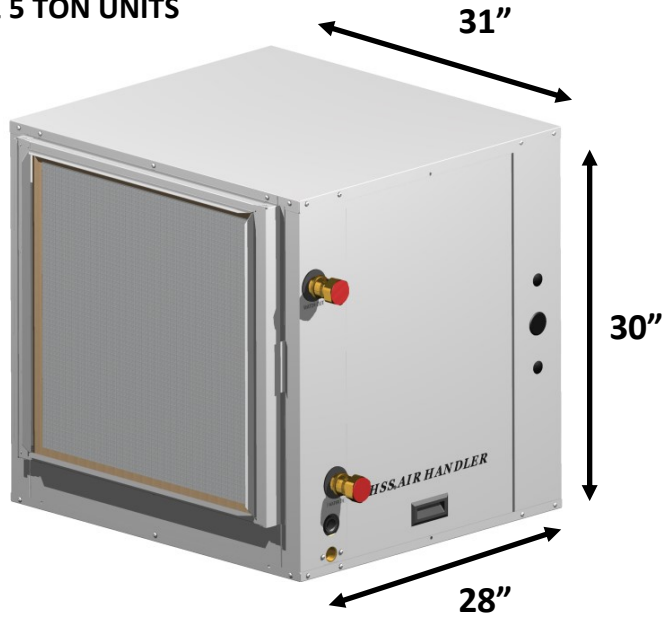


# Technical Data

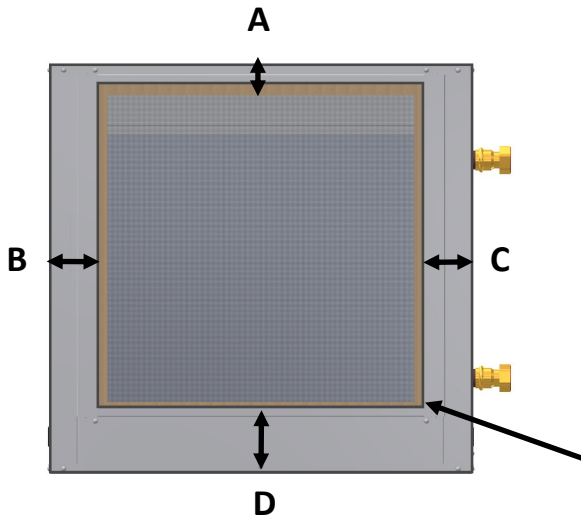
DIMENSIONAL INFORMATION  
3,4 & 5 TON UNITS

## LEFT RETURN / HORIZONTAL CONFIGURATION



# Technical Data

DUCT FLANGE INFORMATION  
3,4 & 5 TON UNITS

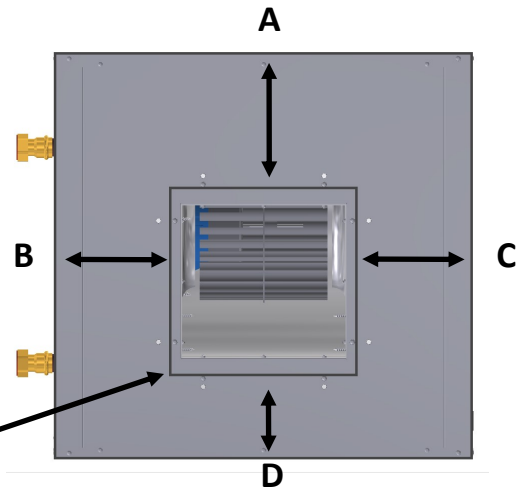


Return Side Distance

- A - 1.293"
- B - 3.524"
- C - 3.524"
- D - 4.813"

Return Side Flange Dimension

24" Tall x 24" Wide  
1" Lip on Flange



Supply Side Distance

- A - 9.950"
- B - 8.524"
- C - 8.524"
- D - 4.813"

Supply Side Flange Dimension

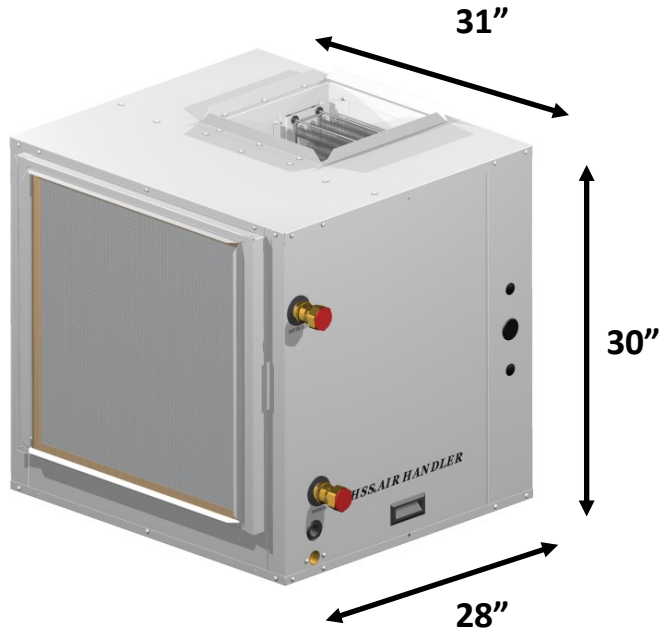
14" Tall x 14" Wide  
1" Lip on Flange

NOTE: Measurements are Listed in Inches  
NOTE: Distances Listed are Edge of Air Handler to Duct Flange

# Technical Data

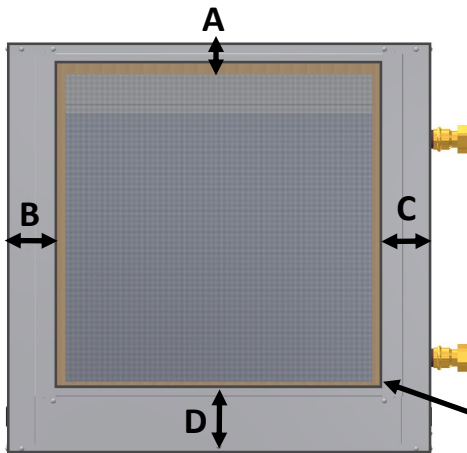
DIMENSIONAL INFORMATION  
3,4 & 5 TON UNITS

## LEFT RETURN / UPFLOW CONFIGURATION



# Technical Data

DUCT FLANGE INFORMATION - SUPPLY & RETURN  
3,4 & 5 TON UNITS

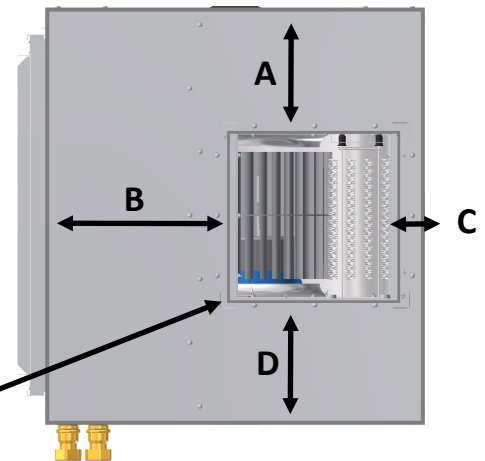


### Return Side Distance

- A - 1.293"
- B - 3.524"
- C - 3.524"
- D - 4.813"

### Return Side Flange Dimension

24" Tall x 24" Wide  
1" Lip on Flange



### Supply Side Distance

- A - 8.562"
- B - 12.880"
- C - 0.982"
- D - 8.562"

### Supply Side Flange Dimension

14" x 14"  
1" Lip on Flange

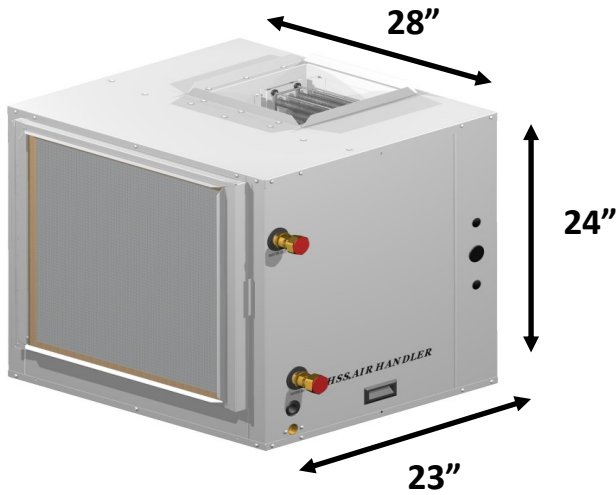
NOTE: Measurements are Listed in Inches

NOTE: Distances Listed are Edge of Air Handler to Duct Flange

# Technical Data

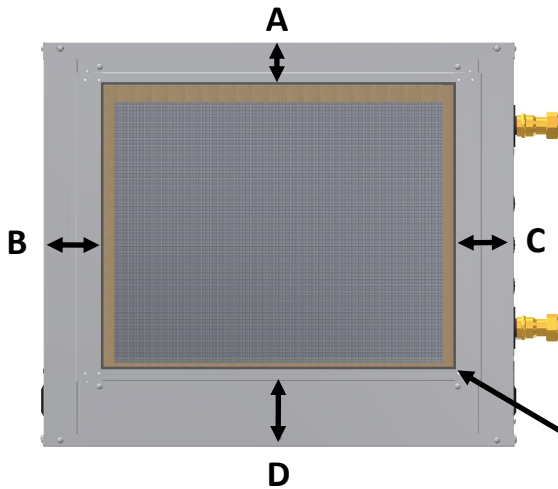
DIMENSIONAL INFORMATION  
1 & 2 TON UNITS

# LEFT RETURN / UPFLOW CONFIGURATION

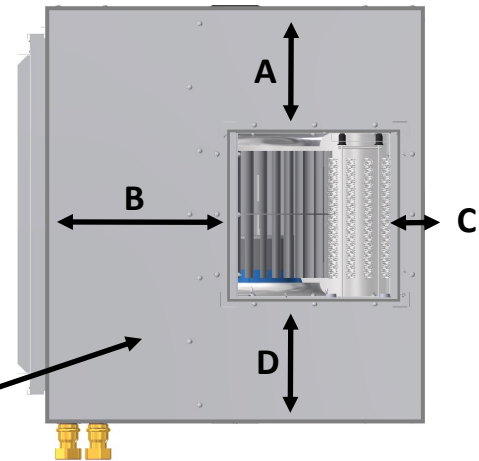


# Technical Data

DUCT FLANGE INFORMATION  
1 & 2 TON UNITS



Duct Flange Edge



### Return Side Distance

- A - 2.478"
- B - 3.524"
- C - 3.524"
- D - 4.664"

### Supply Side Distance

- A - 8.044"
- B - 10.293"
- C - 0.793"
- D - 8.044"

### Return Side Flange Dimension

17" Tall x 21" Wide  
1" Lip on Flange

### Supply Side Flange Dimension

12" Tall x 12" Wide  
1" Lip on Flange

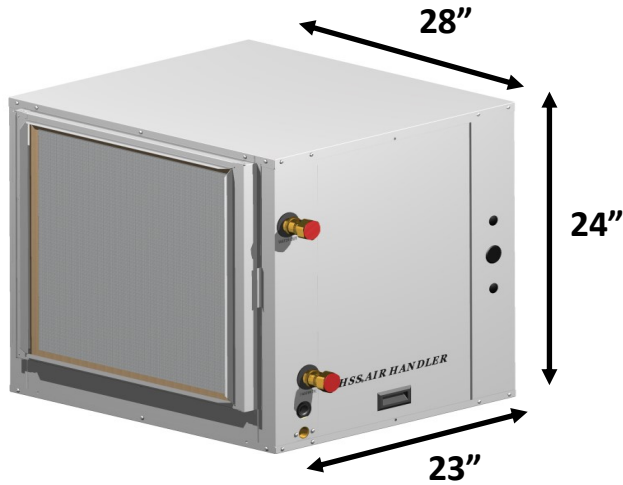
NOTE: Measurements are Listed in Inches

NOTE: Distances Listed are Edge of Air Handler to Duct Flange

# Technical Data

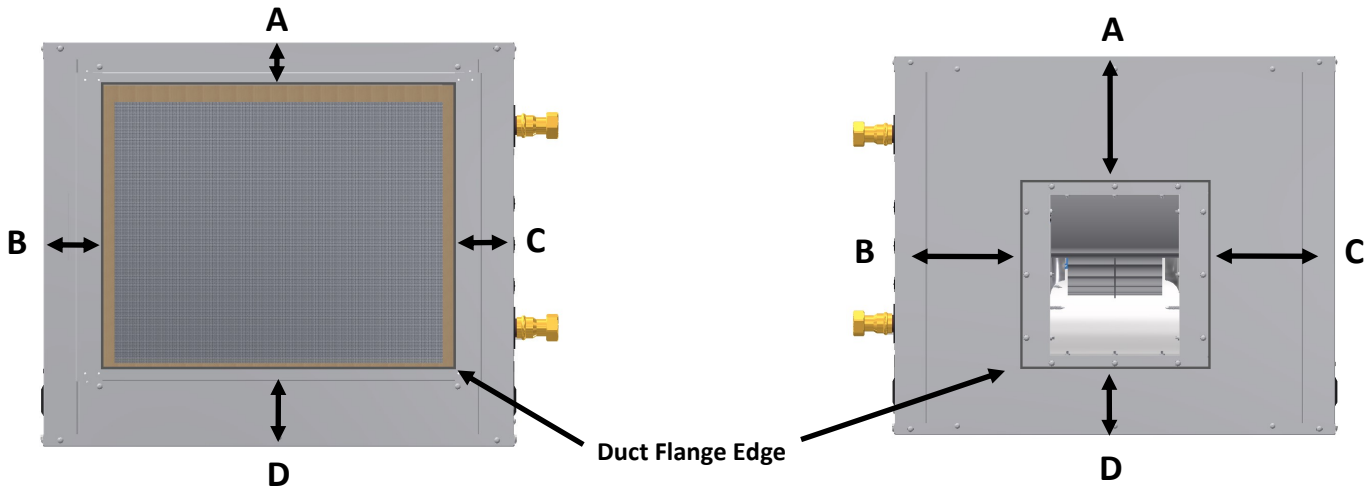
DIMENSIONAL INFORMATION  
1 & 2 TON UNITS

## LEFT RETURN / HORIZONTAL CONFIGURATION



# Technical Data

DUCT FLANGE INFORMATION  
1 & 2 TON UNITS



### Return Side Distance

- A - 2.478"
- B - 3.524"
- C - 3.524"
- D - 4.664"

### Return Side Flange Dimension

17" Tall x 21" Wide  
1" Lip on Flange

### Supply Side Distance

- A - 7.925"
- B - 8.024"
- C - 8.024"
- D - 4.199"

### Supply Side Flange Dimension

12" Tall x 12" Wide  
1" Lip on Flange

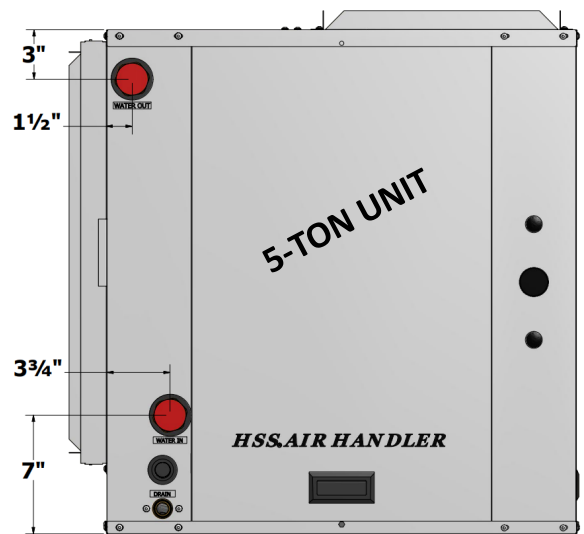
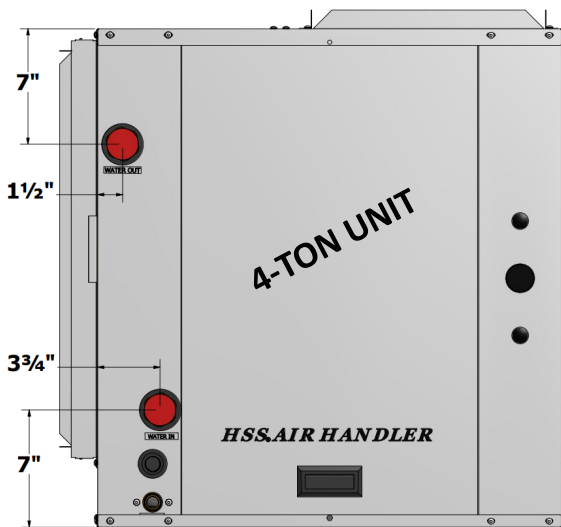
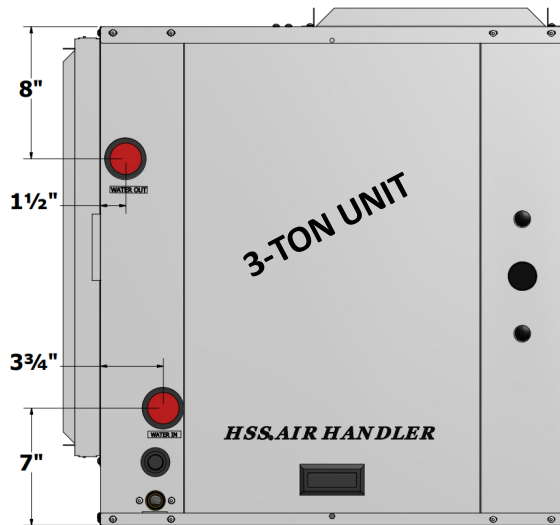
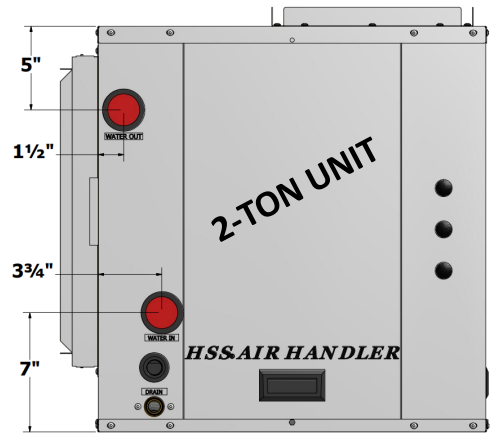
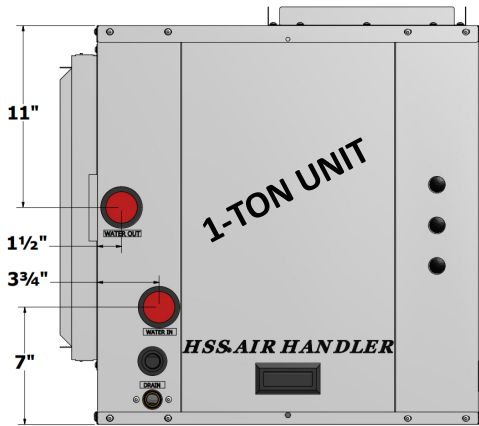
NOTE: Measurements are Listed in Inches  
NOTE: Distances Listed are Edge of Air Handler to Duct Flange

# Technical Data

## LEFT RETURN - ALL CONFIGURATIONS

### SWIVEL CONNECTION LOCATIONS-ALL UNITS

1, 2, 3-Ton Units - 1" Swivel Connections FPT Inlet / Outlet  
4, 5-Ton Units - 1-1/4" Swivel Connections FPT Inlet / Outlet



NOTE: Measurements are Listed in Inches  
NOTE: Distances Listed are Edge of Air Handler to Center of Swivel